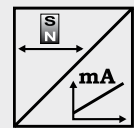


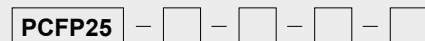
**Ultra flat POSICHRON® position sensor**

- Only 8 mm high and 28 mm wide
- Protection class IP64
- Measurement range 0 ... 3.9 in. to 0 ... 215.7 in.  
(0 ... 100 to 0 ... 5500 mm)
- Absolute position measurement
- No power supply for the position magnet
- Absolutely wear and maintenance free
- Wide variety of mounting
- Analog output



<b>Specifications</b>	Output	Current 4 ... 20 mA, 3 wire
	Resolution	Refer to output specification
	Sampling rate	Up to 1 kHz, depending on the measurement range
	Linearity	L10: ±0.5 mm for ranges ≤19.7 in. (500 mm) ±0.10 % f.s. for ranges >19.7 in. (500 mm)
	Repeatability	±.004 in. (0.1 mm), other values on request
	Material	Aluminum and plastic
	Protection class	IP64
	Connection	Cable, standard length 6.56 ft. (2 m)
	Shock	EN 60068-2-27:1993, 50 g/11 ms, 100 shocks
	Vibration	EN 60068-2-6:1995, 20 g 10 Hz-2 kHz, 10 cycles
EMC, temperature	Refer to output specification	

**Order code PCFP25**



**Model name**

**Measurement range (in mm)**

100 ... 5500 in 10 mm increments  
Other ranges on request

**Output**

420T = with 4 ... 20 mA signal conditioner (3 wire)

**Linearity**

L10 (for definition see "Specifications" above), other linearities upon request

**Connection**

KAB2M = Cable, standard length 6.56 ft. (2 m), other lengths upon request

**Order code mounting set**

**PCFP25-BFS1**

**Order code position magnet**

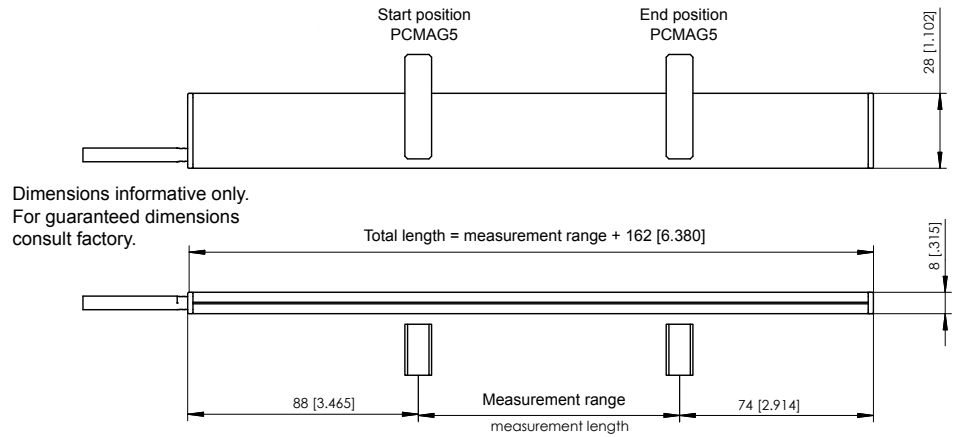
**PCMAG5**

**Order example: PCFP25 - 1500 - 420T - L10 - KAB2M**

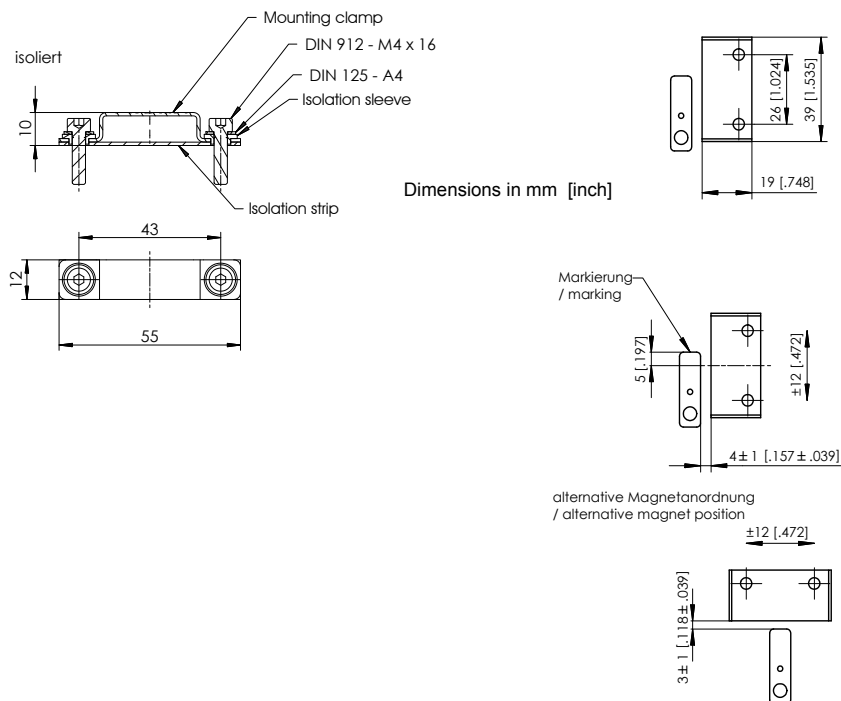
# POSICHRON<sup>®</sup> PCFP25 Profile Design with analog Output



## Outline drawing

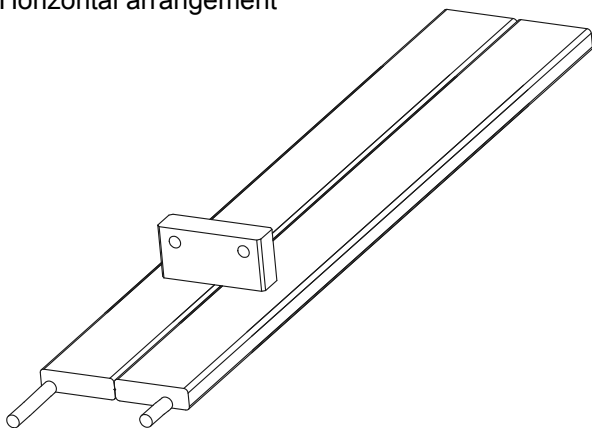


## Mounting set PCFP25-BFS1



## Redundant version

### Horizontal arrangement



### Vertical arrangement

