

PMIS3/ PMIB3/-HT/-ST POSIMAG®

Magneto-resistive Position Sensor

Accessories

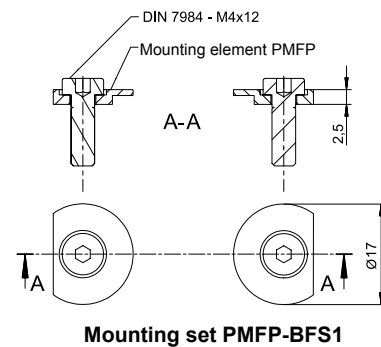
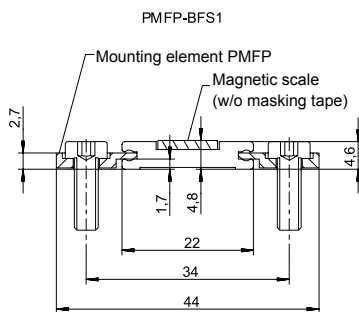


Masking tape PMAB:

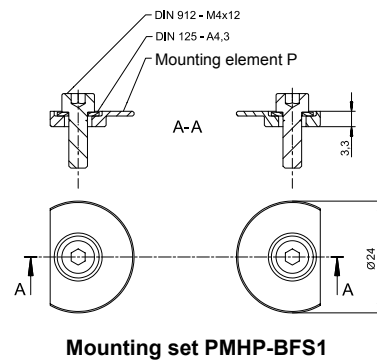
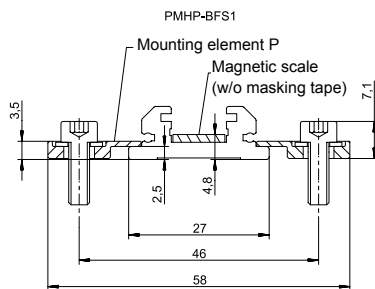
Masking tape made of stainless steel for POSIMAG magnetic scale PMIB3, width 10 mm, thickness 0.2 mm



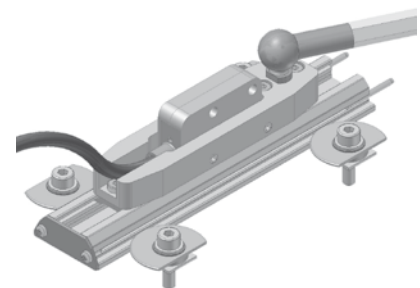
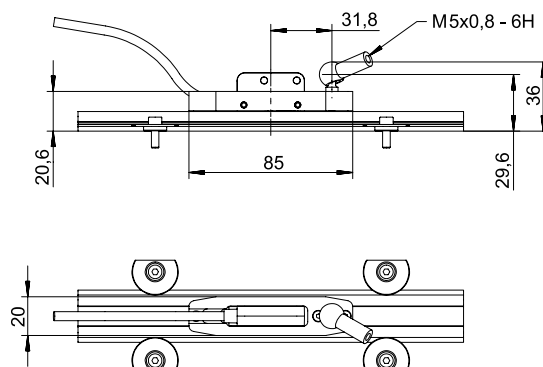
Outline drawing flat profile PMFP



Outline drawing high profile PMHP



Slider for high profile PMGW3



Dimensions informative only. For guaranteed dimensions consult factory.