

Company \_\_\_\_\_  
 Name \_\_\_\_\_ First name \_\_\_\_\_  
 Department \_\_\_\_\_  
 Address \_\_\_\_\_ No. \_\_\_\_\_  
 Postcode \_\_\_\_\_ City \_\_\_\_\_  
 Tel. \_\_\_\_\_ Fax \_\_\_\_\_  
 e-mail \_\_\_\_\_

**Please send me a Demo-Kit PRAS20-U6 with the test magnet for the promotional price of 75.- \$ + VAT + shipping costs**

Order number \_\_\_\_\_ Date \_\_\_\_\_  
 Name \_\_\_\_\_ First name \_\_\_\_\_  
 Tel. \_\_\_\_\_ Fax \_\_\_\_\_  
 e-mail \_\_\_\_\_  
 Signature \_\_\_\_\_

Please send me **an offer** for  
 \_\_\_\_\_ pcs \_\_\_\_\_ pcs \_\_\_\_\_ pcs

I have a special application and need assistance, please **contact me**  
 asap  in \_\_\_\_\_ weeks  occasionally

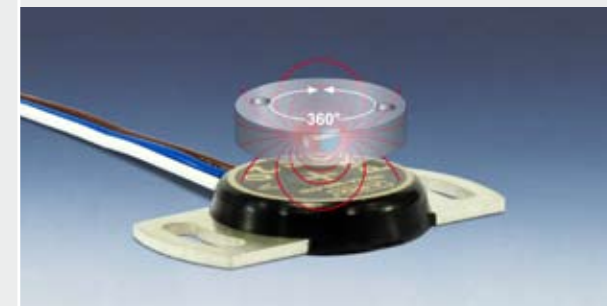
**Product Catalog Request:** please send me the following product catalogs

- WS® / POSIWIRE®** Cable Extension Position Sensors
- POSICHRON®** Magnetostrictive Position Sensors
- POSIMAG®** Magnetic Scale Position Sensors
- POSIROT®** Magnetic Angular Sensors
- POSITILT®** Inclinometers

# DEMO-KIT

## PRAS20

**Sensor including a magnet**



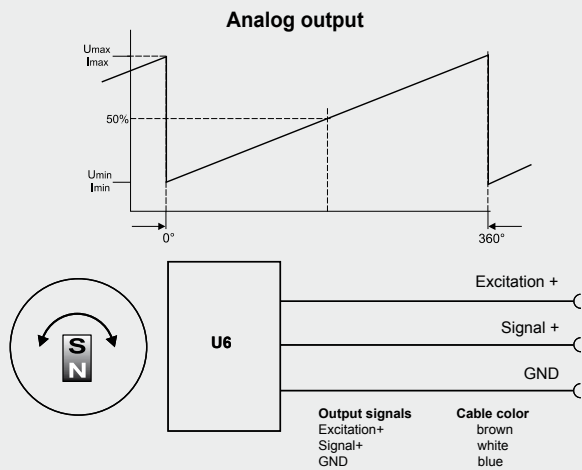
## POSIROT® Magnetic Angular Sensors

**PRAS20**  
Magnetic Angular Sensor  
with analog output

- Measurement range 0° to 360°
- Protection class IP60
- Non-contact with external position magnet
- No wear
- Output: 0.5 ... 4.5 V

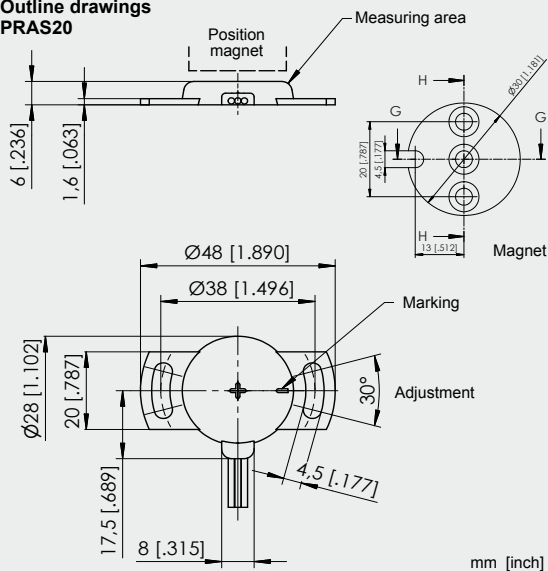
# POSIROT® / PRAS20

The **POSIROT®** range of non-contact rotary and angular position sensors utilises 'Hall Effect' Technology which allows a limited misalignment of the sensor and magnet.



## Mechanical Specifications

### Outline drawings PRAS20



## Specifications PRAS20

Excitation voltage	+5V DC ±10%
Excitation current	20 mA max. (10mA typ.)
Output voltage	0.5 ... 4.5V DC
Output current	2mA max.
Output load	>3kΩ
Measuring rate	1kHz
Stability (temperature)	±50 x 10 <sup>-6</sup> /°C f.s.

Operating temperature	-40 ... +85°C
Protection	reverse polarity, short circuit

Output	voltage 0.5 ... 4.5V ratiometric
Resolution	0.03%
Repeatability	±0.03%
Linearity	±0.5 % f.s. (typ.); a misalignment of the position magnet has an effect on the linearity

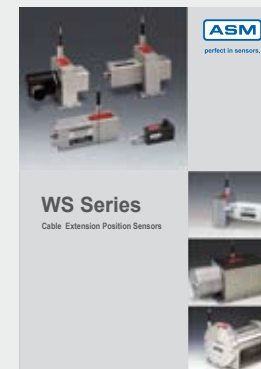
Measurement range	0 ... 360°
Signal character.	CW
Rated distance sensor / position magnet	max. 5mm

Material	Thermoplastic
Mounting	2 x M4

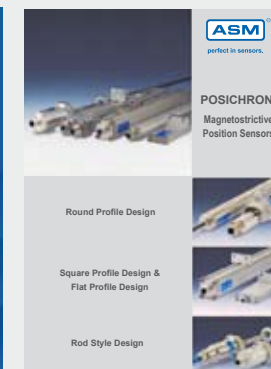
Connection	single strand 3 x 0.5 mm <sup>2</sup>
Protection class	IP60
Shock	EN 60068-2-27:1993, 100 g/11 ms, 100 Shocks
Vibration	EN 60068-2-6:1995, 20 g 10 Hz-2 kHz, 10 cycles

## Available Product Catalogs

### WS® / POSIWIRE® Cable Extension Position Sensors



### POSICHRON® Magneto- strictive Position Sensors



### POSIMAG® Magnetic Scale Positions Sensors



### POSIROT® / POSITILT® Angular Sensors and Inclometers



**ASM Sensors, Inc.**  
650 W. Grand Ave., Unit 205  
Elmhurst, IL 60126  
**USA**  
Tel. +1-(630)-832 3202  
Fax +1-(630)-832 3204  
info@asmsensors.com  
www.asmsensors.com

**ASM GmbH**  
Am Bleichbach 18 - 22  
85452 Moosinning  
**Germany**  
Tel. +49-(0)8123-986-0  
Fax +49-(0)8123-986-500  
info@asm-sensor.de  
www.asm-sensor.de