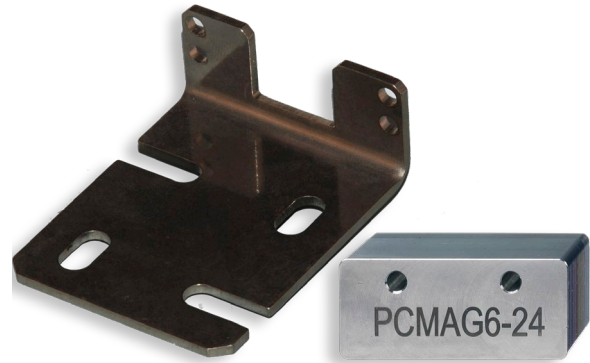

Accessories

for posichron®
Magnetostrictive Position Sensors



Monunting sets

Mounting brackets and clamps

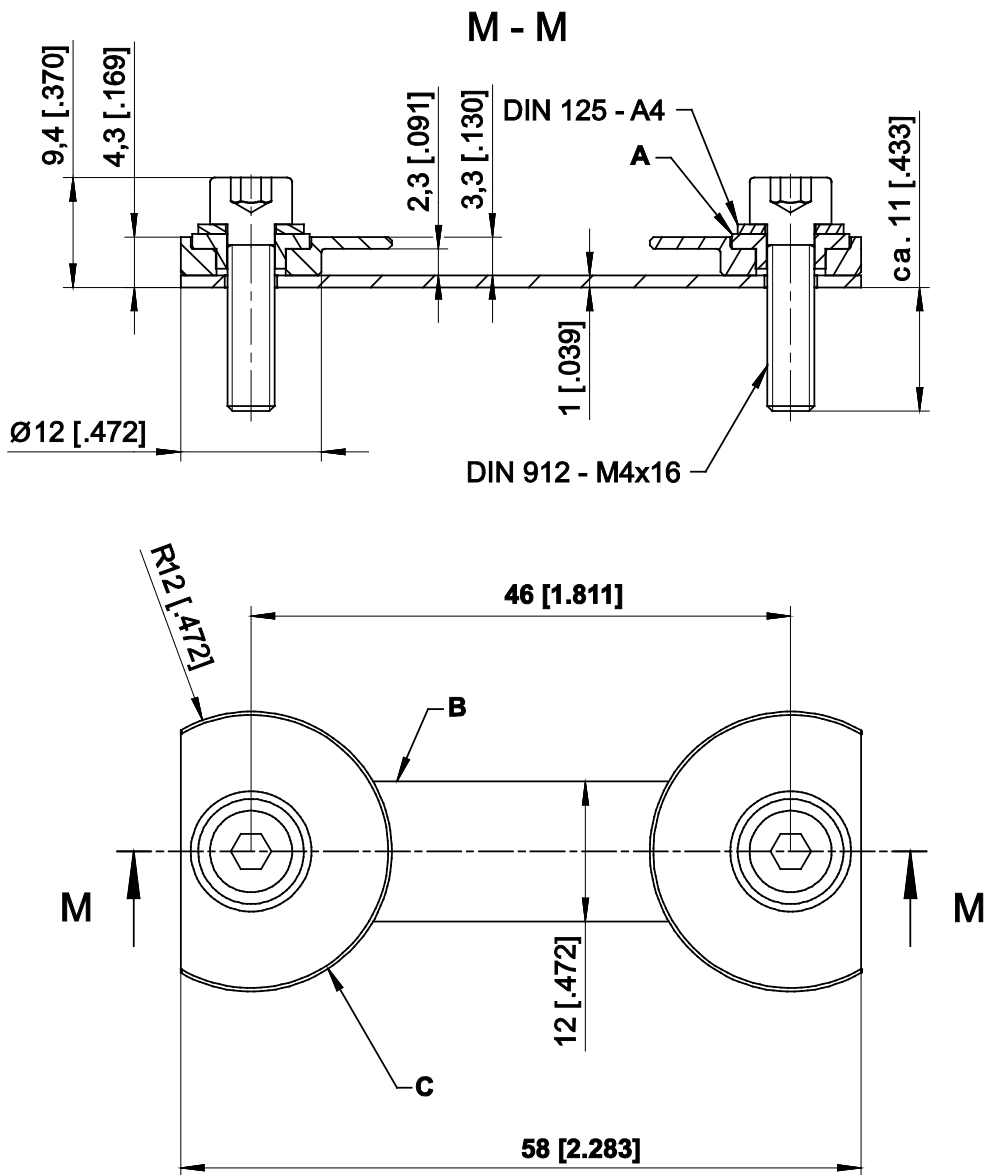
O-ring sealings

Magnets

Connector cables

Mounting sets

Mounting set PCQA-BFS1 with mounting clamps



- A – Isolation sleeve
- B – Isolation strip
- C – Mounting clamp

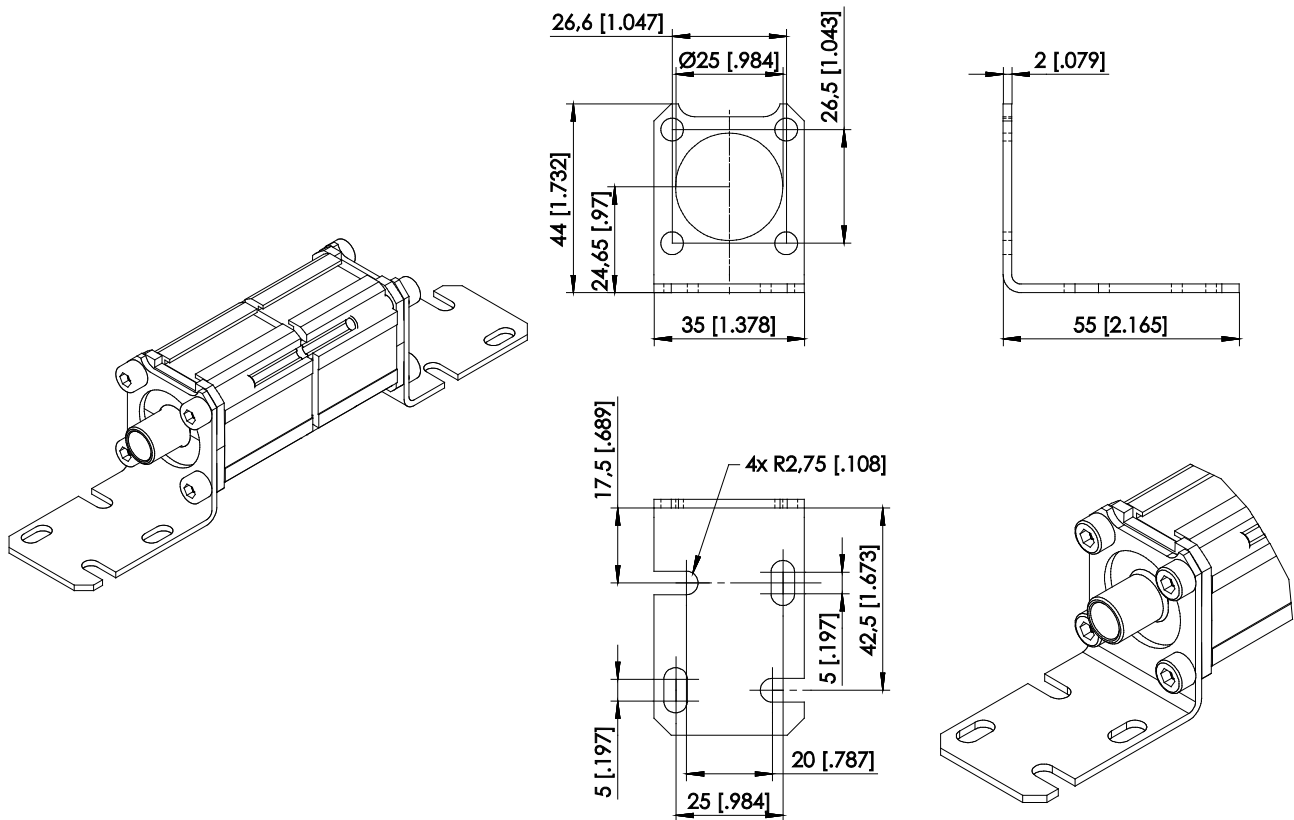
Dimensions in mm [inch]

Dimensions informative only.

For guaranteed dimensions consult factory.

Option -BFW

Mounting brackets for PCQA22 and PCQA24



Note: The option -BFW can only be ordered with a new sensor, not separately! Applicable for sensor lengths up to 1000 mm. Not to be combined with PCQA-BFS1.

Dimensions in mm [inch]

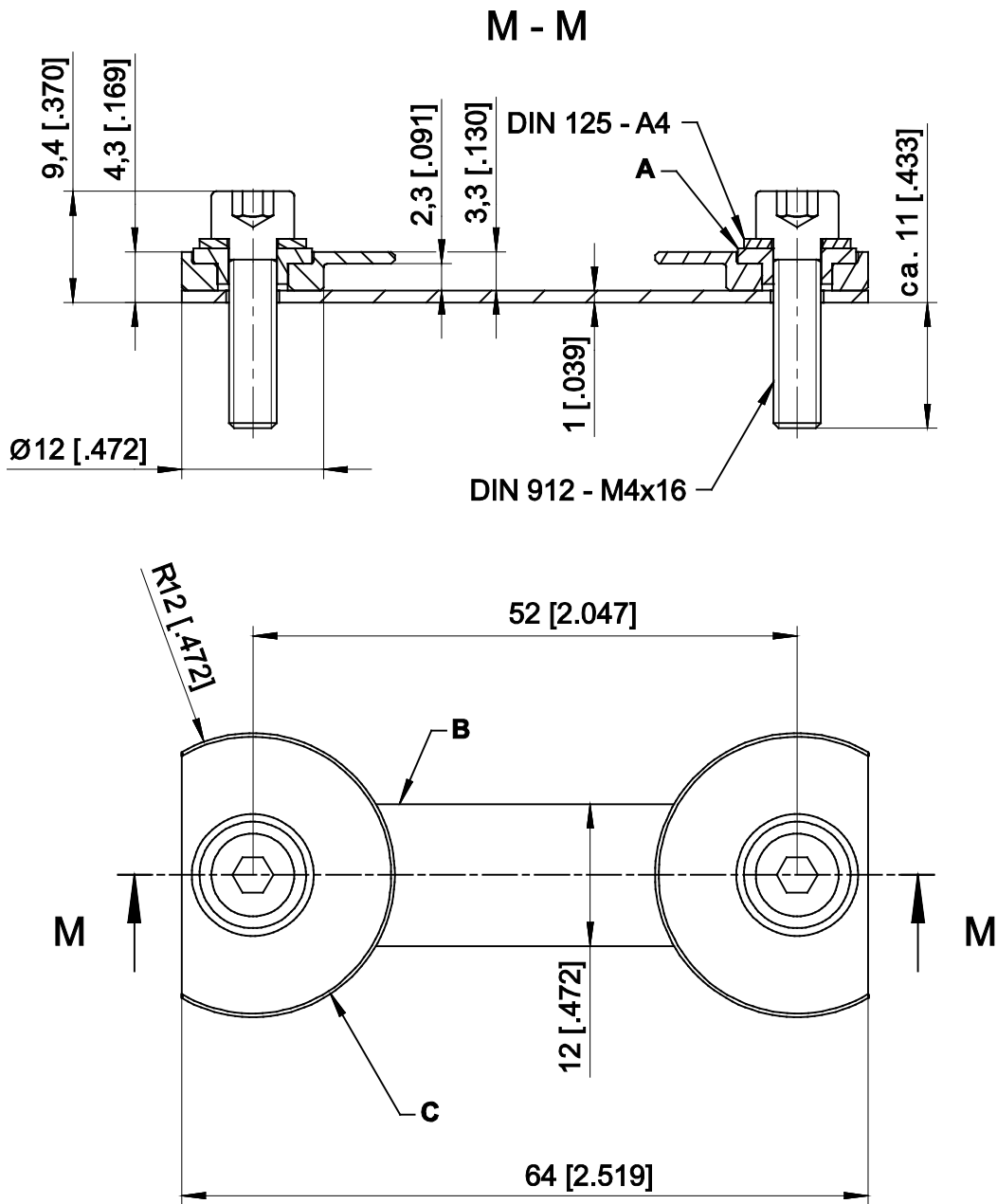
Dimensions informative only.

For guaranteed dimensions consult factory.

Order example

PCQA24 – 1000 – U2 – P1A – L10 – M12 – BFW

Mounting set PCFP23-BFS1



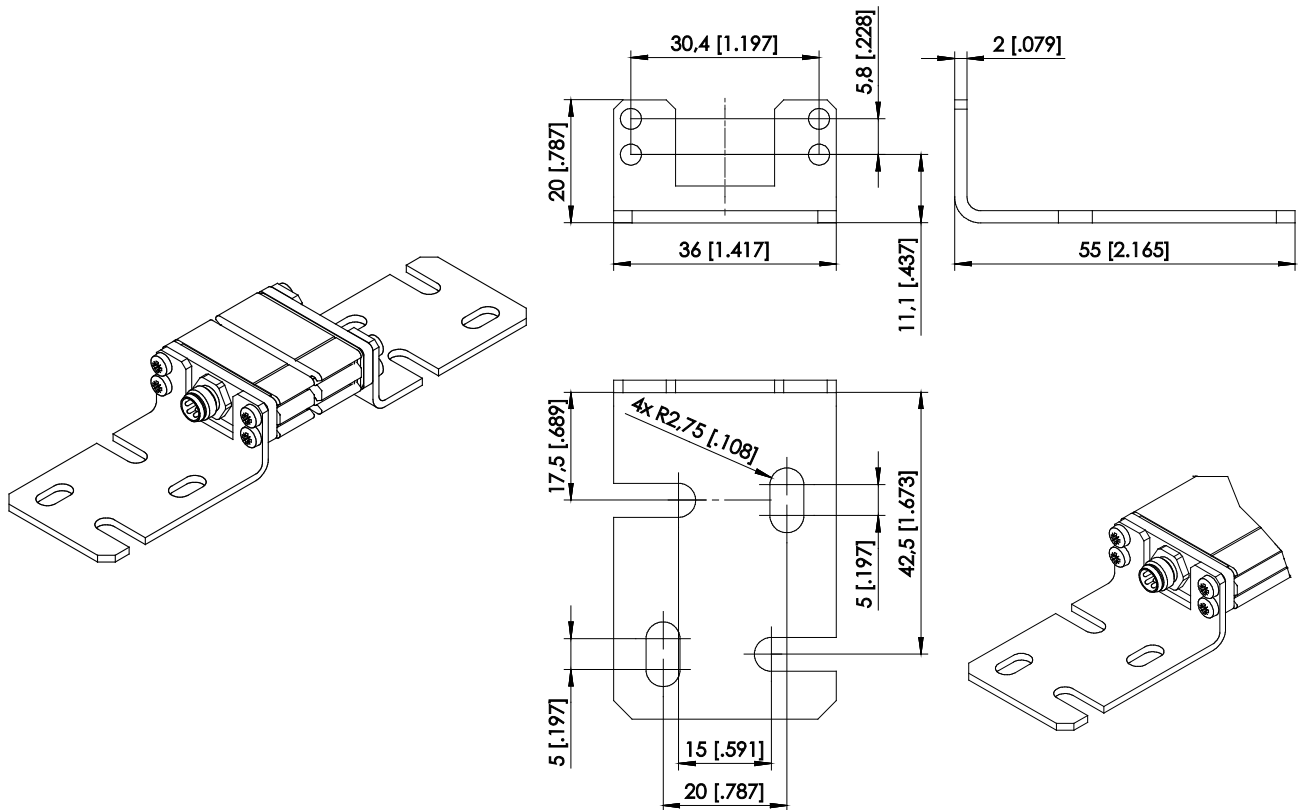
- A – Isolation sleeve
- B – Isolation strip
- C – Mounting clamp

Dimensions in mm [inch]

Dimensions informative only.

For guaranteed dimensions consult factory.

Option -BFW
Mounting brackets for PCFP23



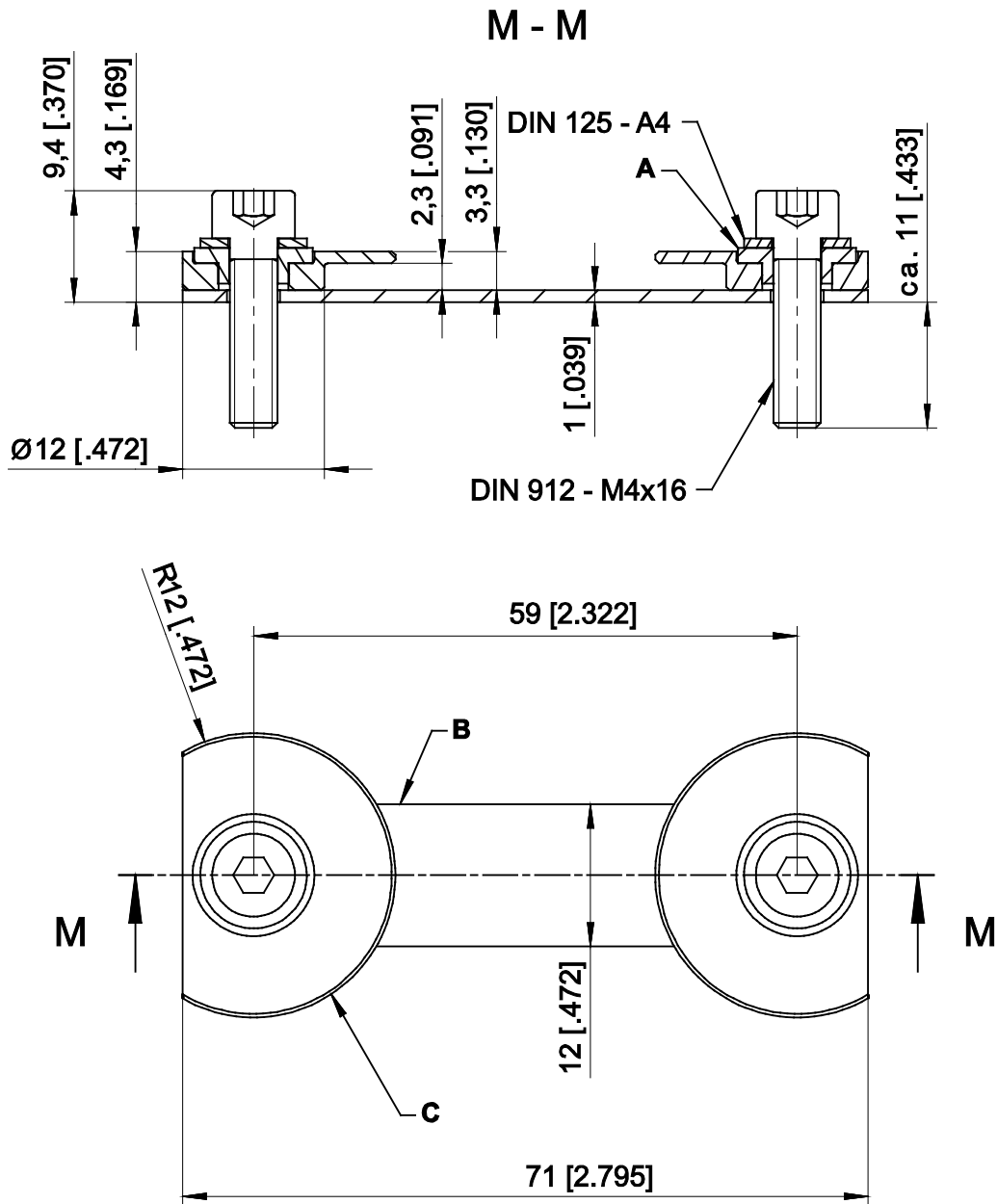
Note: The option -BFW can only be ordered with a new sensor, not separately!
Applicable for sensor lengths up to 1000 mm. Not combinable with PCFP23-BFS1.

Dimensions in mm [inch]
Dimensions informative only.
For guaranteed dimensions consult factory

Order example

PCFP23 – 1000 – U2 – P1A – L02 – M8 – BFW

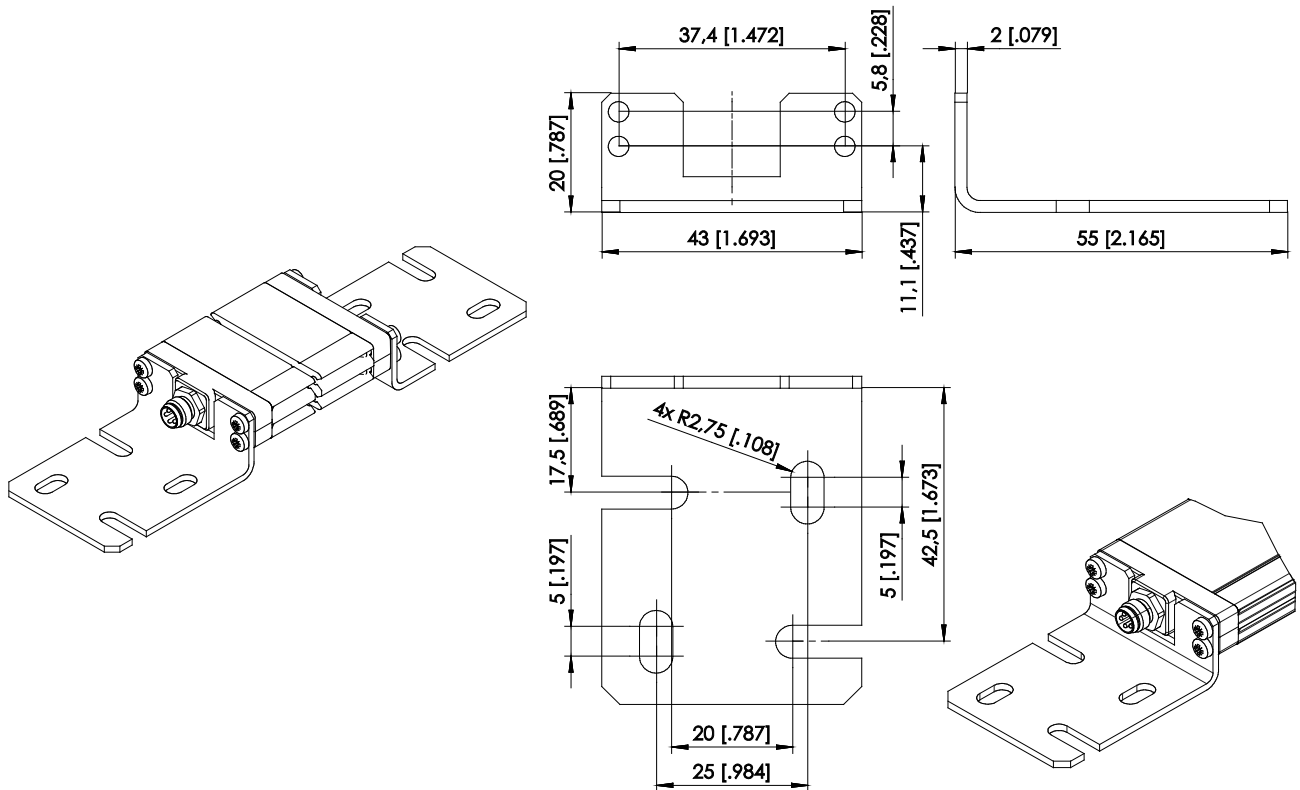
Mounting set PCFP24-BFS1



- A – Isolation sleeve
- B – Isolation strip
- C – Mounting clamp

Dimensions in mm [inch]
 Dimensions informative only.
 For guaranteed dimensions consult factory.

Option -BFW
Mounting brackets for PCFP24



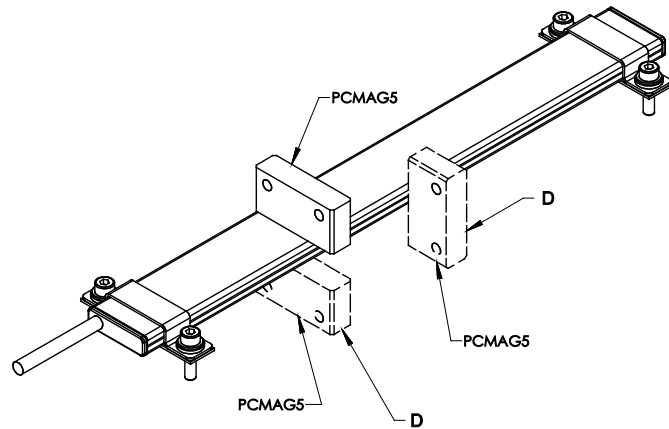
Note: The option -BFW can only be ordered with a new sensor, not separately!
Applicable for sensor lengths up to 1000 mm. Not combinable with PCFP24-BFS1.

Dimensions in mm [inch]
Dimensions informative only.
For guaranteed dimensions consult factory

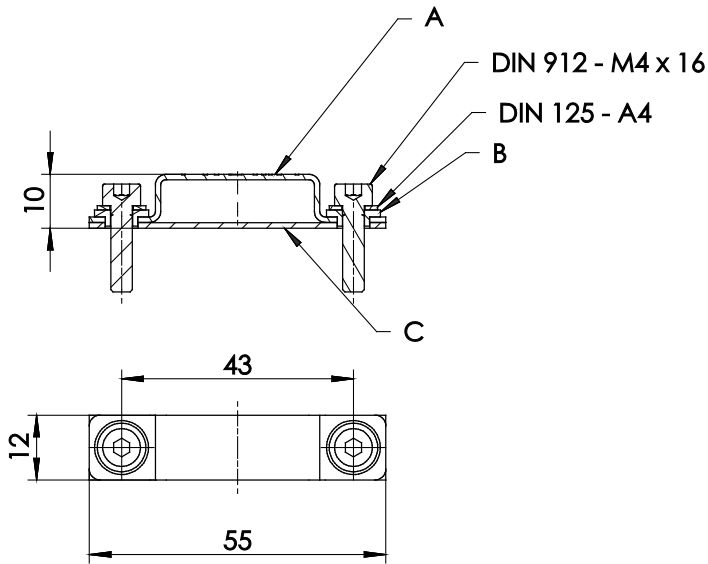
Order example

PCFP24 – 1000 – U1 – P1A – L02 – M8 – BFW

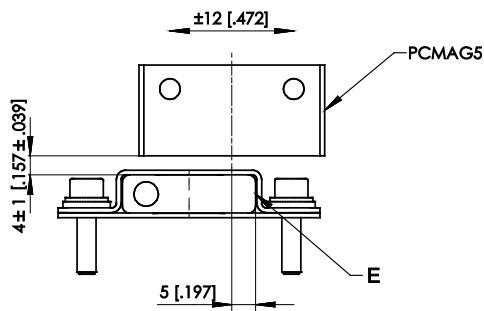
Mounting set PCFP25-BFS1



D – Alternative magnet position



A – Mounting clamp
B – Isolation sleeve
C – Isolation strip

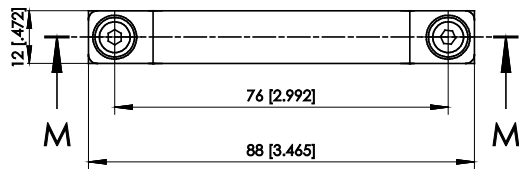
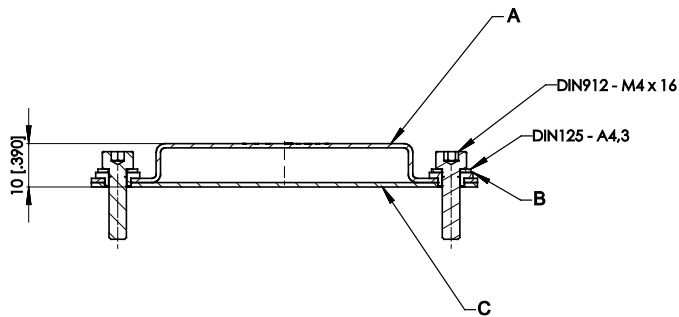
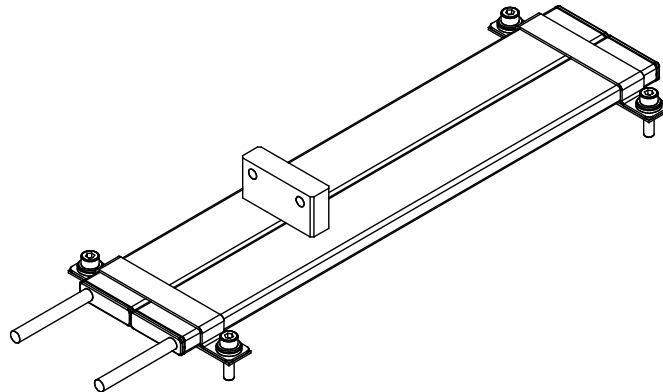


E - Marking

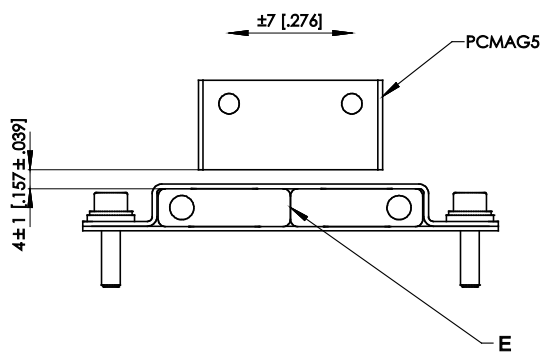
Dimensions in mm [inch]
Dimensions informative only.
For guaranteed dimensions consult factory.

Mounting set PCFP25-RF-BFS1

Redundant version
Horizontal
arrangement



A – Mounting clamp
B – Isolation sleeve
C – Isolation strip

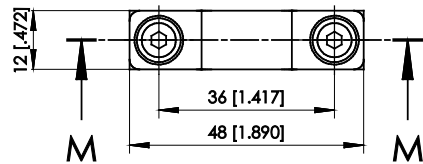
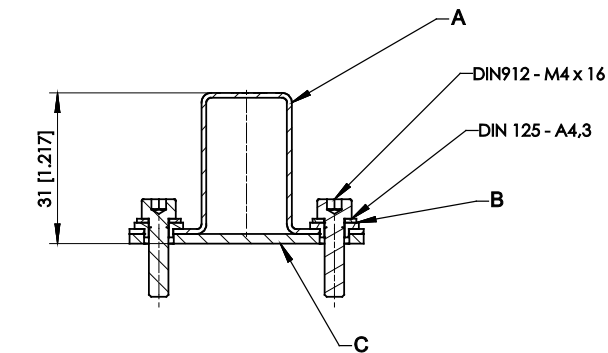
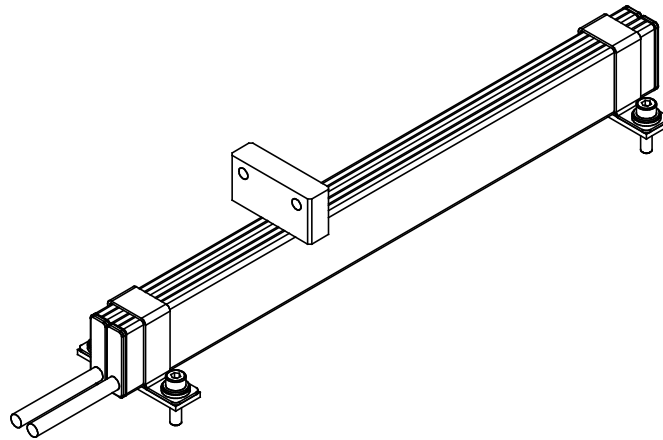


E – Marking

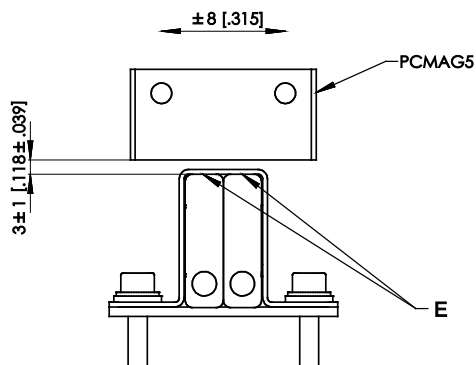
Dimensions in mm [inch]
Dimensions informative only.
For guaranteed dimensions consult factory.

Mounting set PCFP25-RH-BFS1

Redundant version
Vertical arrangement



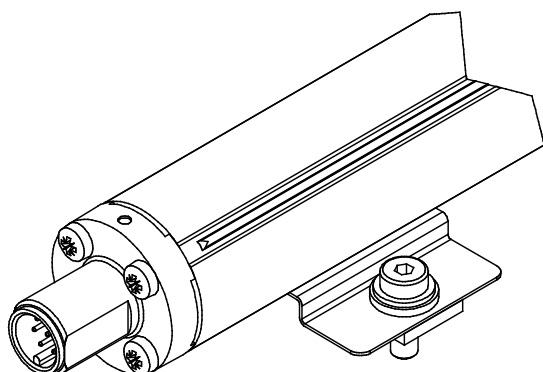
A – Mounting clamp
B – Isolation sleeve
C – Isolation strip



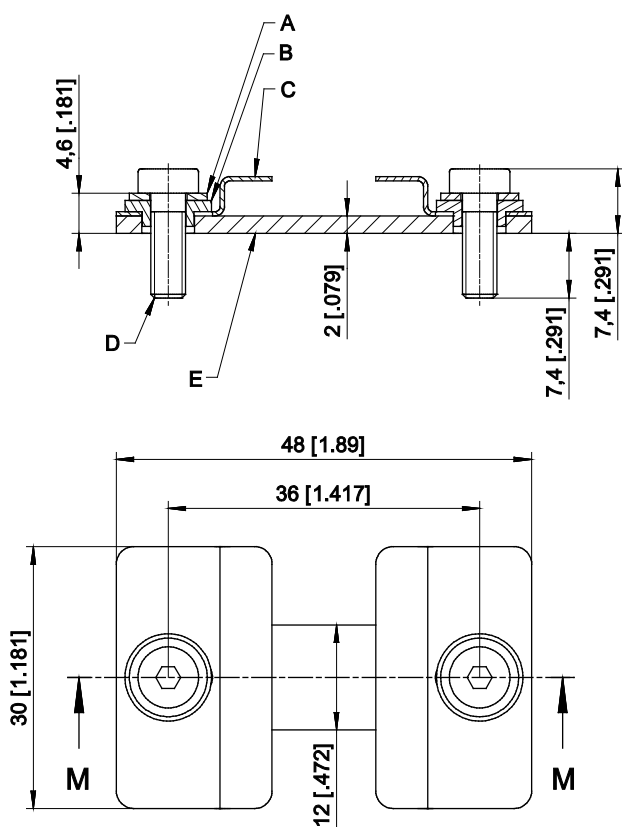
E – Marking

Dimensions in mm [inch]
Dimensions informative only.
For guaranteed dimensions consult factory.

PCRP21-BFS4
Mounting set for PCRP21



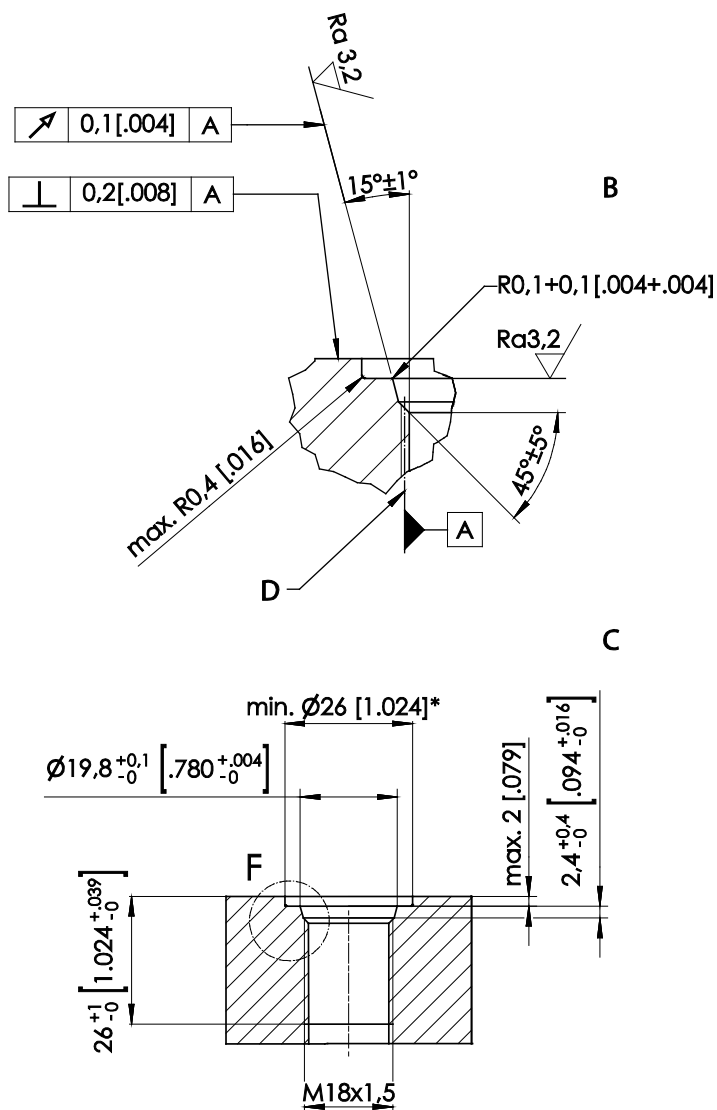
M - M



- A – DIN 125 – A4
- B – Isolation sleeve
- C – Mounting clamp PCRP21
- D – DIN 7984 – M4 x 12
- E – Isolation strip PCRP21-BFS4

Dimensions in mm [inch]
Dimensions informative only.
For guaranteed dimensions consult factory.

Mounting hole M18



B – Drive hole and pivot M18 x 1.5 according to ISO 6149

C – Diameter of the plane area without marking ring

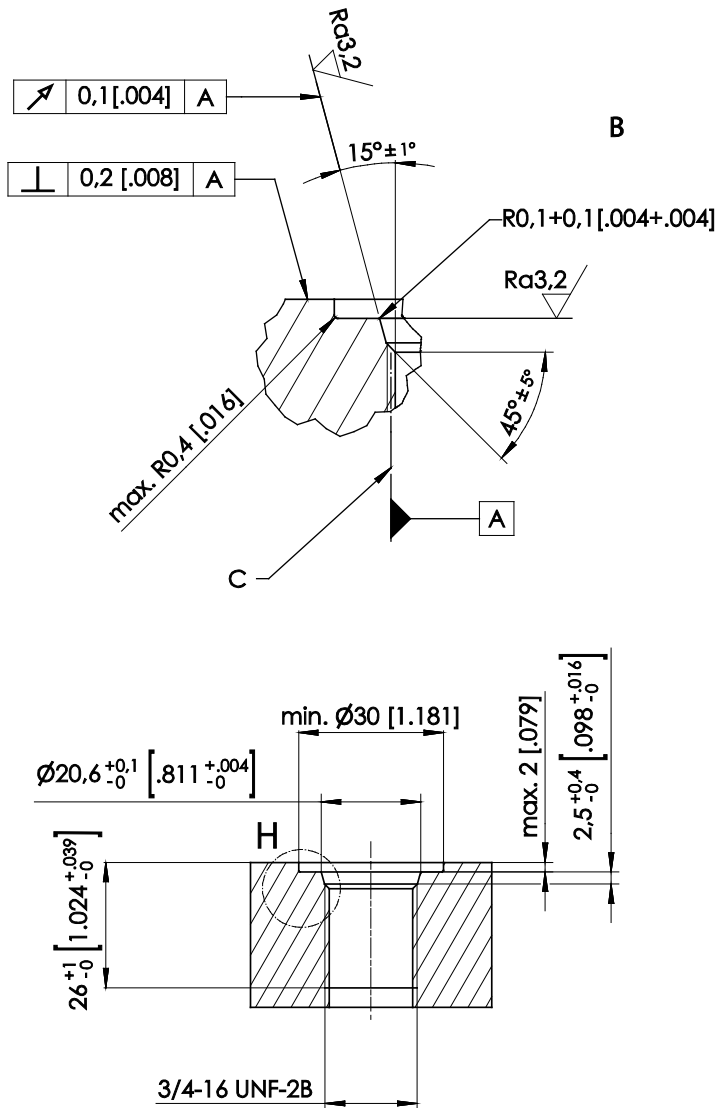
D – Effective diameter

Dimensions in mm [inch]

Dimensions informative only.

For guaranteed dimensions consult factory.

Mounting hole 3/4"



- B – Drive hole according to ISO 11926-1
 UN/UNF thread 2B according to ANSI B1.1/ISO 725
 Pivot according to ISO 11926-2 and 3
 UN/UNF thread 2A according to ANSI B1.1/ISO 725
 Sealing by O-ring
- C – Effective diameter

Dimensions in mm [inch]

Dimensions informative only.

For guaranteed dimensions consult factory.

O-ring sealings for posichron®-PCST

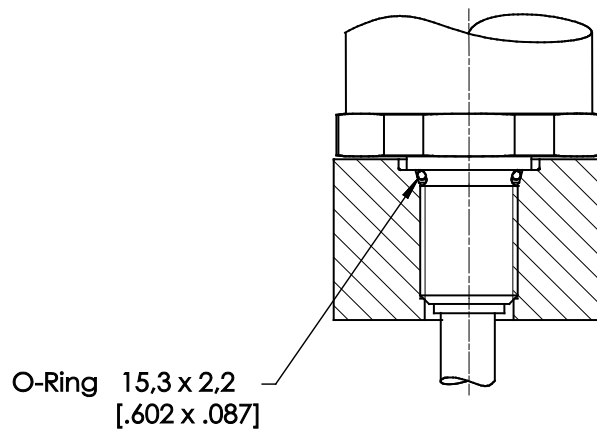
O-ring sealing (M18)

for:

PCST24-M18...

PCST25-M18...

PCST27-M18...



Dimensions in mm [inch]

Dimensions informative only.

For guaranteed dimensions consult factory.

Order code

PCST – OR – M18

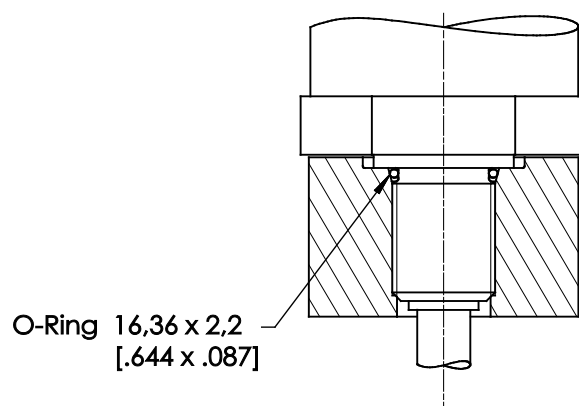
O-ring sealing (Z3/4")

for:

PCST24-Z3/4...

PCST25-Z3/4...

PCST27-Z3/4...



Dimensions in mm [inch]

Dimensions informative only.

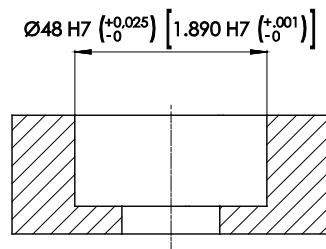
For guaranteed dimensions consult factory.

Order code

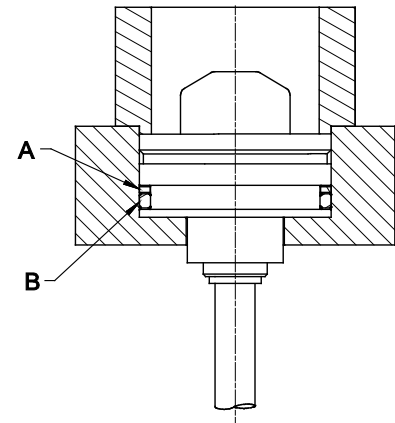
PCST – OR – Z3/4

O-ring sealing (Plug-in version)

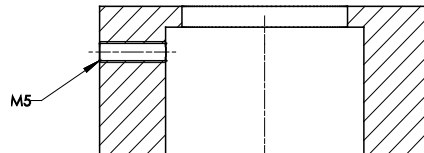
for:
PCST25-SV



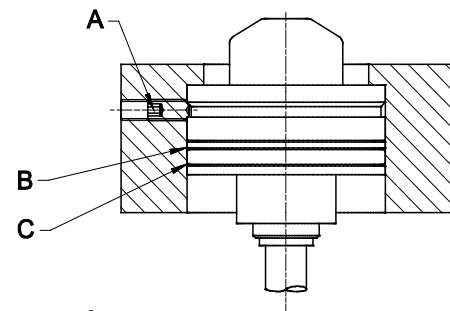
A – Supporting ring
B – O-Ring



for:
PCST25-SV



A – Threaded pin
B – Supporting ring
C – O-Ring



$\text{Ø}48 \text{ H7 } \left(\begin{smallmatrix} +0,025 \\ -0 \end{smallmatrix} \right) [1.890 \text{ H7 } \left(\begin{smallmatrix} +.001 \\ -0 \end{smallmatrix} \right)]$

Dimensions in mm [inch]
Dimensions informative only.
For guaranteed dimensions consult factory.

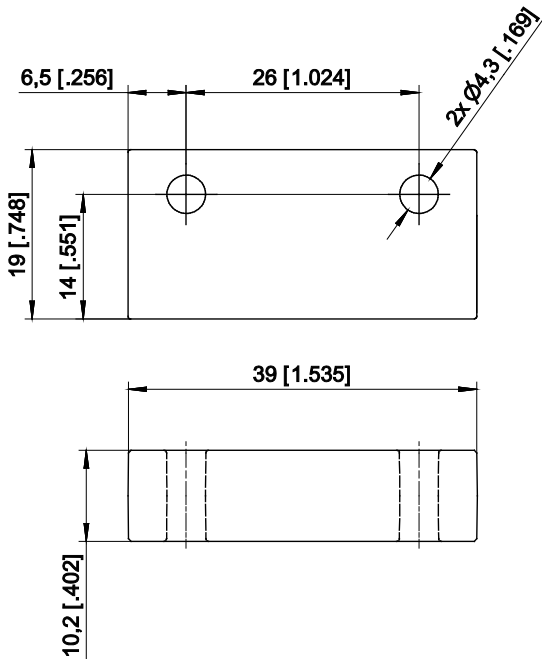
Order code

PCST – OR – SV

Magnets

PCMAG5

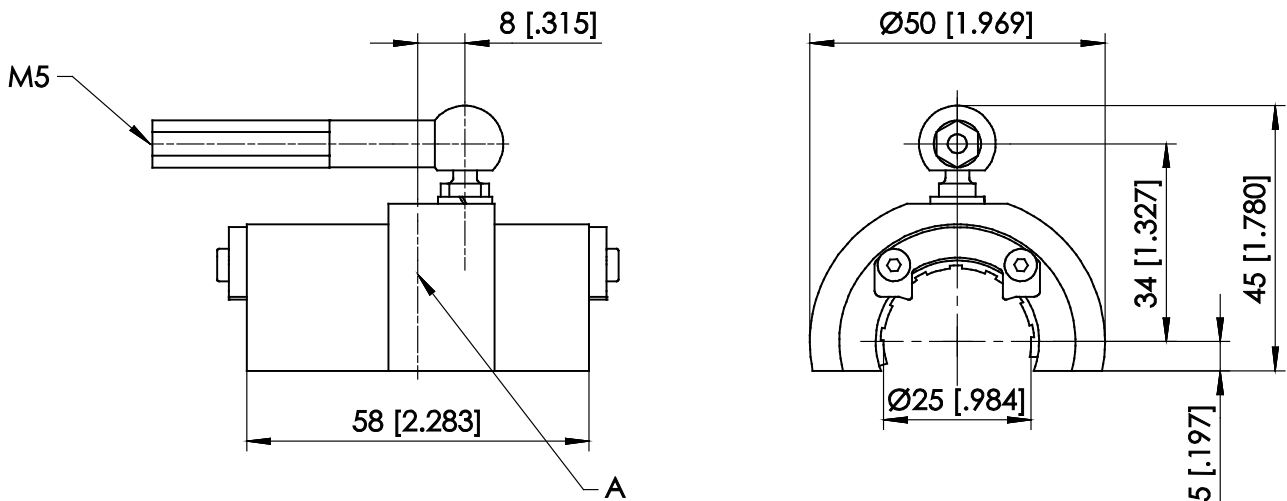
Standard magnet



Dimensions in mm [inch]
Dimensions informative only.
For guaranteed dimensions consult factory.

PCRPMAG6

Guided magnet slider for PCRP21 with internal position magnet

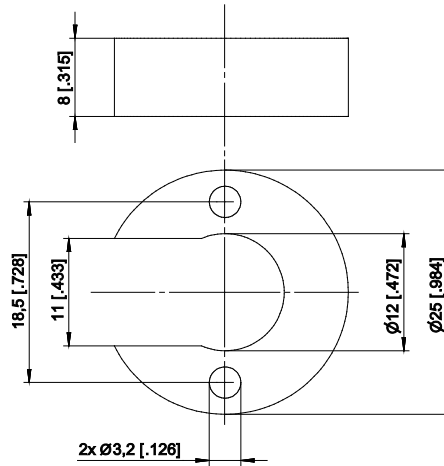


A – Internal position magnet
Not to be used for a large number of operation cycles!

Dimensions in mm [inch]
Dimensions informative only.
For guaranteed dimensions consult factory.

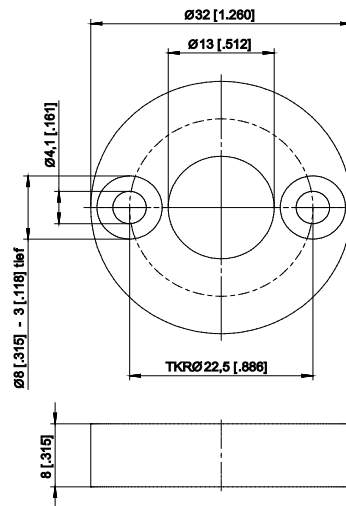
Position magnets for posichron®-PCST

PCSTMAG1

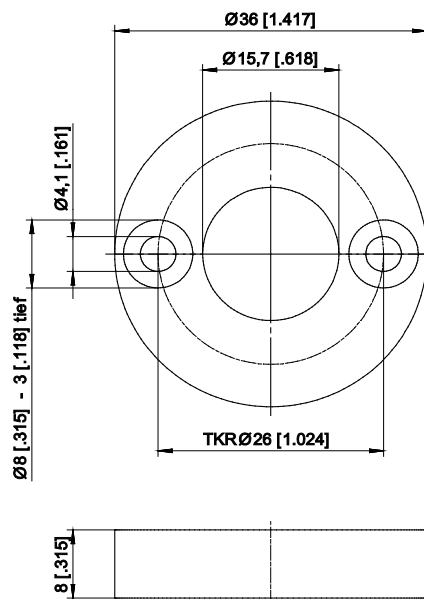


PCSTMAG2

(Standard)

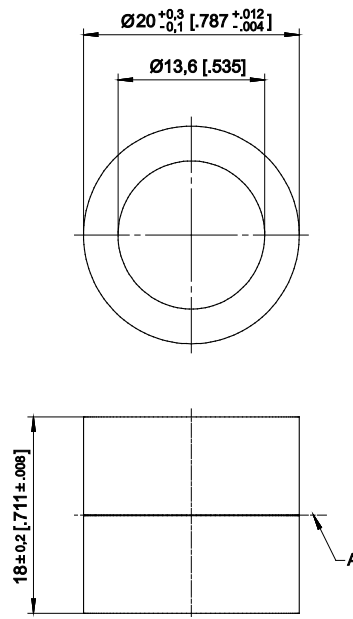


PCSTMAG5



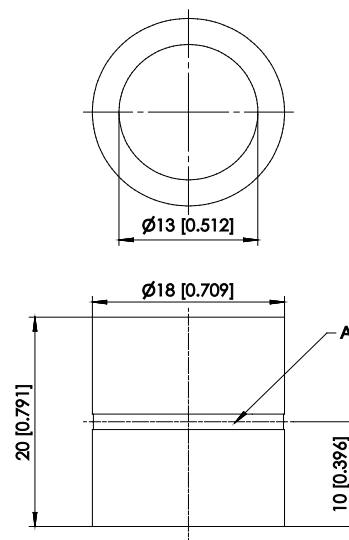
Dimensions in mm [inch]
Dimensions informative only.
For guaranteed dimensions consult
factory.
Other designs can be realized on
request.

PCSTMAG2-MH1



A – Center of magnet

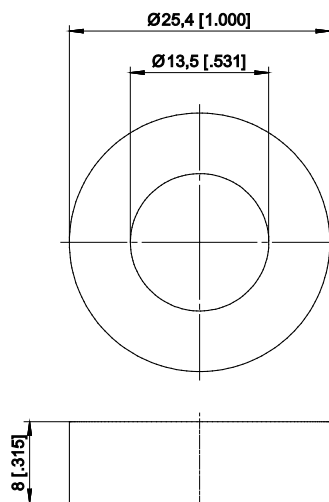
PCSTMAG2-MH2



A – Center of magnet

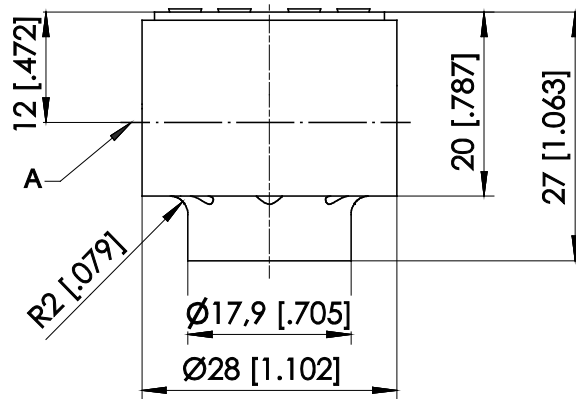
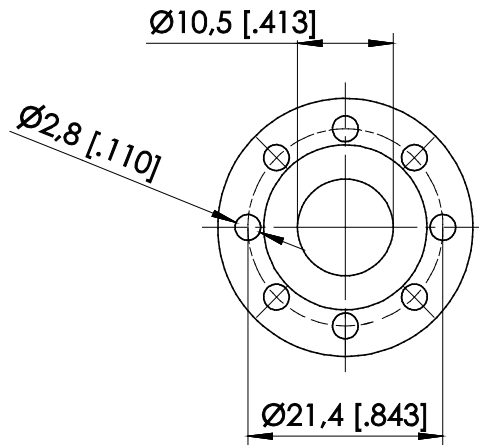
Dimensions in mm [inch]
Dimensions informative only.
For guaranteed dimensions consult
factory.
Other designs can be realized on
request.

PCSTMAG2-MH3



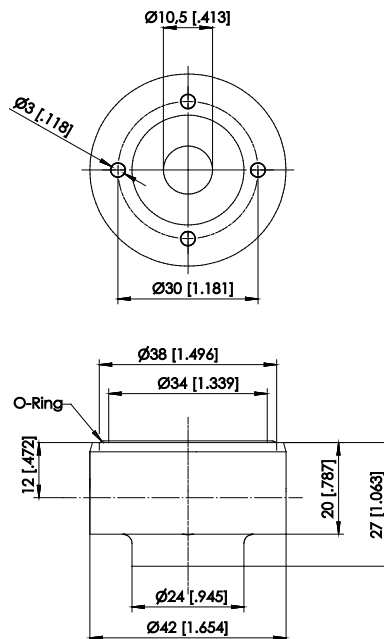
Dimensions in mm [inch]
Dimensions informative only.
For guaranteed dimensions consult
factory.
Other designs can be realized on
request.

PCSTMAG2-G1



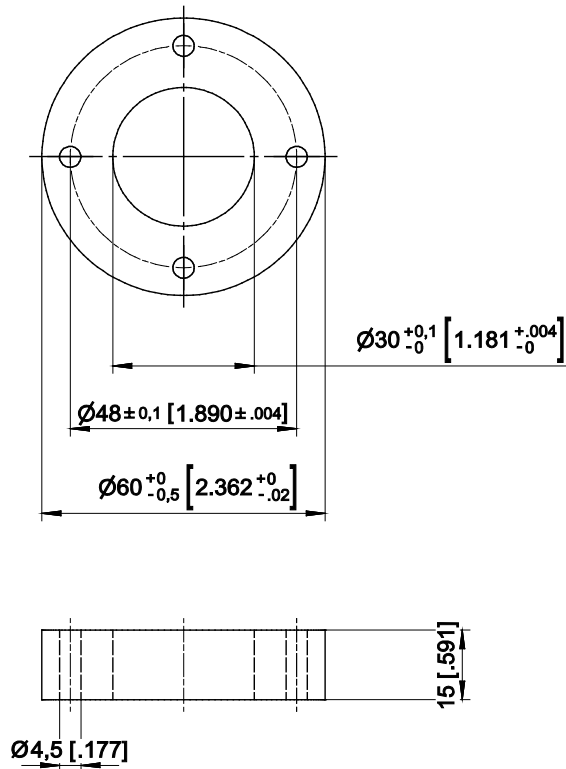
PCSTMAG2 - G1 / G2
Sliding magnet with special self-lubricating and abrasion-resistant material.
To be used if sensor is mounted in horizontal position and a mechanical support of the rod is not possible for measurement ranges >1000 mm.

PCSTMAG2-G2

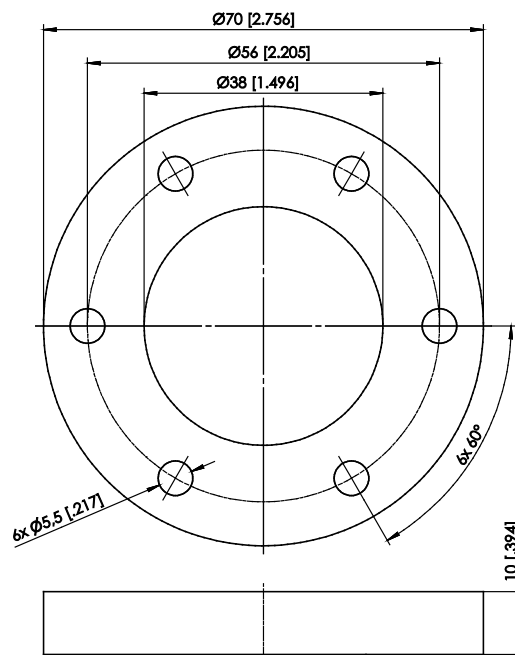


Dimensions in mm [inch]
Dimensions informative only.
For guaranteed dimensions consult factory.
Other designs can be realized on request.

PCSTMAG7



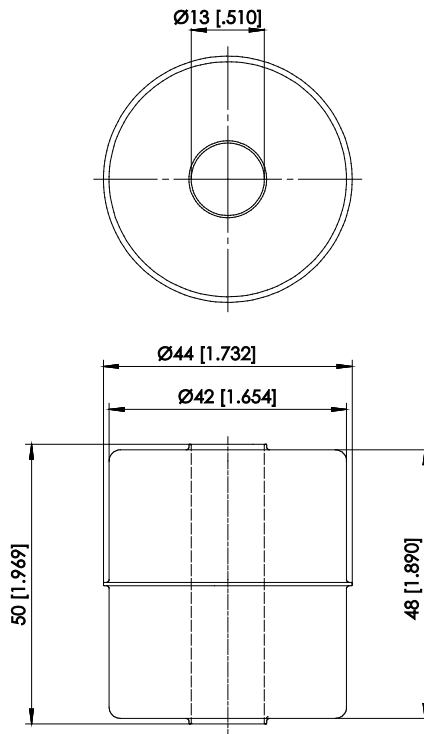
PCSTMAG4



Dimensions in mm [inch]
Dimensions informative only.
For guaranteed dimensions
consult factory.
Other designs can be realized on
request

PCSTMAG3

(float, continuous pressure up to 9 bar, for media with a specific gravity of $\geq 0,75 \text{ g/cm}^3$)
Material: 1.4404

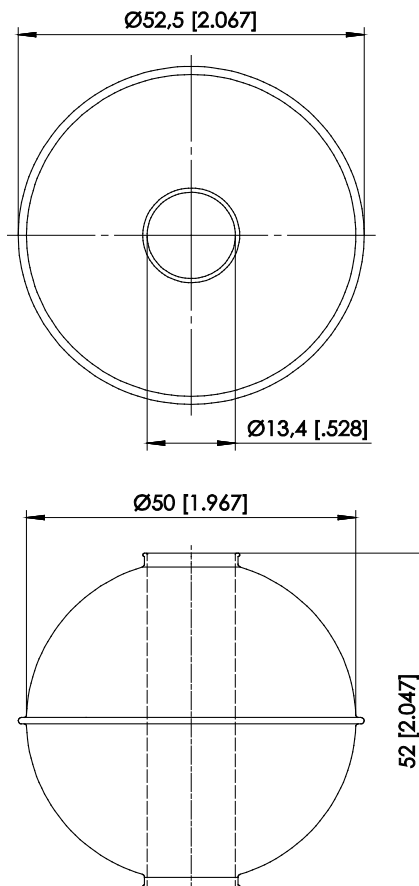


Note: Dependent on the design the available measurement range is reduced of 25 mm on both ends!

Dimensions in mm [inch]
Dimensions informative only.
For guaranteed dimensions consult factory.
Other designs can be realized on request.

PCSTMAG6

(float, continuous pressure up to 30 bar, for media with a specific gravity of $\geq 0,7 \text{ g/cm}^3$)
Material: 1.4571



Note: Dependent on the design the available measurement range is reduced of 25 mm on both ends!

Dimensions in mm [inch]
Dimensions informative only.
For guaranteed dimensions consult factory.
Other designs can be realized on request.

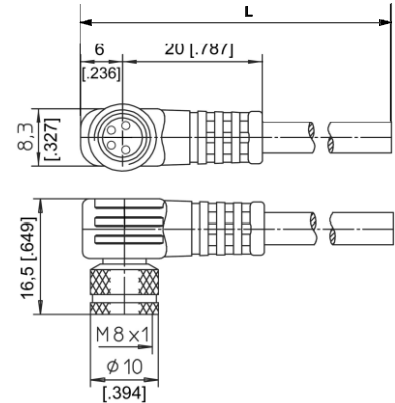
Connector cables

Connector cable M8, 4 pin (angular coupling)

shielded

The 4-lead shielded cable is supplied with a mating 4-pin 90° M8 connector at one end and 4 wires at the other end. Available lengths are 2 m, 5 m and 10 m.

Wire cross sectional area 0.14 mm²



Order code

	KAB - xM – M8/4F/W - LITZE
IP69:	KAB - xM – M8/4F/W/69K - LITZE

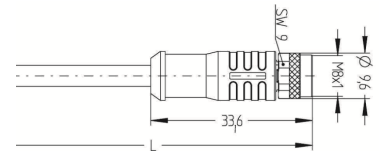
xM = length in m

Connector cable M8, 4 pin (straight coupling)

shielded

The 4-lead shielded cable is supplied with a mating 4-pin M8 connector at one end and 4 wires at the other end. Available lengths are 2 m, 5 m and 10 m.

Wire cross sectional area 0.14 mm²



Order code

	KAB - xM – M8/4F/G - LITZE
IP69:	KAB - xM – M8/4F/G/69K - LITZE

xM = length in m

Signal wiring M8, 4 pin	Plug connection / Cable color			
	1	2	3	4
	brown	white	blue	black

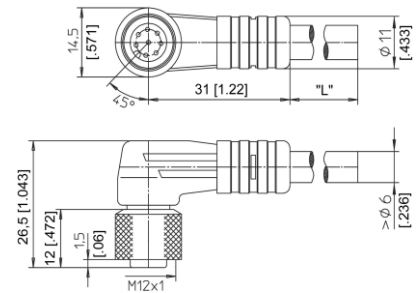
Applicable for cable carriers

Maximum movement speed	3 m/s
Maximum acceleration	5 m/s ²
Minimum bending radius	10 x cable diameter

Connector cable M12, 8 pin (angular coupling)

shielded connector

The 8-lead shielded cable is supplied with a mating 8-pin 90° M12 connector at one end and 8 wires at the other end. Available lengths are 2 m, 5 m and 10 m. Wire: cross sectional area 0.25 mm²
Cable diameter: 6.3 ±0.2 mm



Order code

KAB - xM - M12/8F/W - LITZE

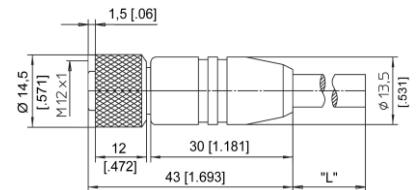
IP69: **KAB - xM - M12/8F/W/69K - LITZE**

xM = length in m

Connector cable M12, 8 pin (straight coupling)

shielded connector

The 8-lead shielded cable is supplied with a mating 8-pin M12 connector at one end and 8 wires at the other end. Available lengths are 2 m, 5 m and 10 m. Wire: cross sectional area 0.25 mm²
Cable diameter: 6.3 ±0.2 mm



Order code

KAB - xM - M12/8F/G - LITZE

IP69: **KAB - xM - M12/8F/G/69K - LITZE**

xM = length in m

Signal wiring M12, 8 pin	Plug connection / cable color							
	1	2	3	4	5	6	7	8
	white	brown	green	yellow	grey	pink	blue	red

Applicable for cable carriers

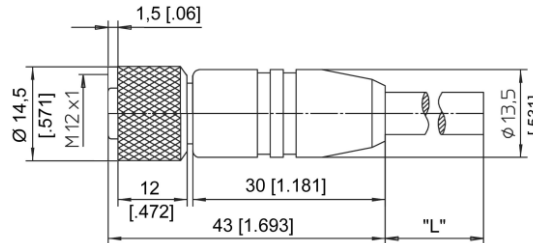
Maximum movement speed	3 m/s
Maximum acceleration	5 m/s ²
Minimum bending radius	10 x cable diameter

Connector/bus cable M12, 5 pin CAN-Bus

The 5-lead shielded cable is supplied with a female 5 pin M12 connector at one end and a male 5 pin M12 connector at the other end.

Available lengths are 0.3 m, 2 m, 5 and 10 m.

Cable diameter: 6.7 ±0.2 mm



Order code

KAB - xM - M12/5F/G - M12/5M/G - CAN

IP69: **KAB - xM - M12/5F/G/69K - M12/5M/G/69K - CAN**

xM = length in m

T-connector for bus cable M12, 5 pin CAN-Bus

Order code

KAB - TCONN - M12/5M - 2M12/5F - CAN



Terminating resistor M12, 5 pin CAN-Bus

Order code

KAB - RTERM - M12/5M/G - CAN



Applicable for cable carriers

Maximum movement speed	3 m/s
Maximum acceleration	5 m/s ²
Minimum bending radius	10 x cable diameter