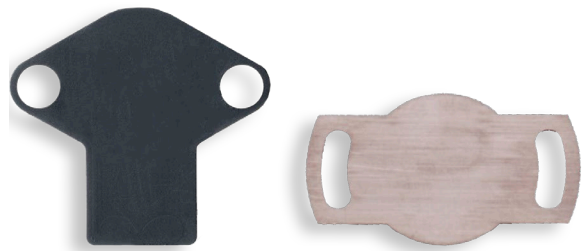


PRASxx-MSHIELD

Magnetic shields for angle sensors
posirot®



Product versions

Magnetic shield PRAS20/26-MSHIELD for the angle sensor PRAS20 / PRAS20R

Magnetic shield PRAS21-MSHIELD for the angle sensor PRAS21

Magnetic shield PRAS20/26-MSHIELD for the angle sensor PRAS26

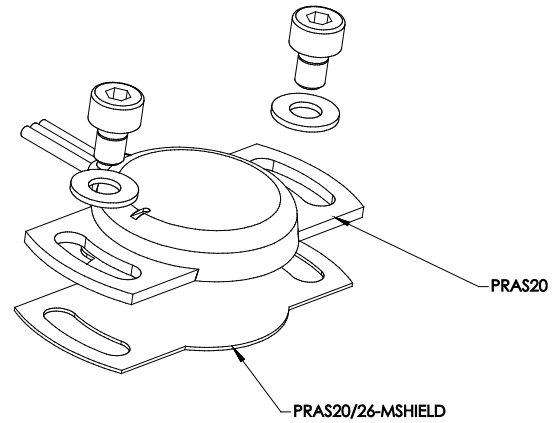
Magnetic shield PRAS27-MSHIELD for the angle sensor PRAS27 / PRDS27

PRAS20 / PRAS20R Magnetic shield

An optional shield plate is available for the angle sensors PRAS20 and PRAS20R. It can reduce the effect of residual magnetizing in case the sensor has to be mounted on a ferromagnetic material.

Order code magnetic shield:

PRAS20/26-MSHIELD

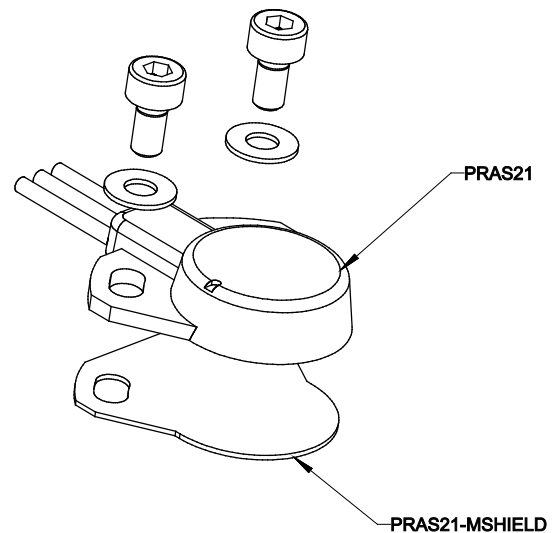


PRAS21 Magnetic Shield

An optional shield plate is available for the angle sensor PRAS21. It can reduce the effect of residual magnetizing in case the sensor has to be mounted on a ferromagnetic material.

Order code magnetic shield:

PRAS21-MSHIELD

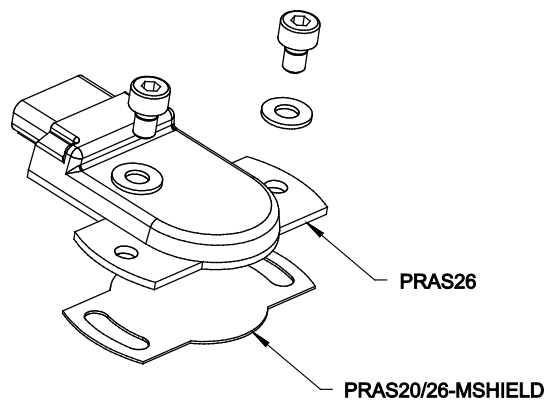


PRAS26 Magnetic shield

An optional shield plate is available for the angle sensor PRAS26. It can reduce the effect of residual magnetizing in case the sensor has to be mounted on a ferromagnetic material.

Order code magnetic shield:

PRAS20/26-MSHIELD



PRAS27 Magnetic Shield

An optional shield plate is available for the angle sensors PRAS27 and PRDS27. It can reduce the effect of residual magnetizing in case the sensor has to be mounted on a ferromagnetic material.

Order code magnetic shield:

PRAS27-MSHIELD

