

PMIS3/PMIB3 POSIMAG®

Magneto-resistive Position Sensor

Accessories

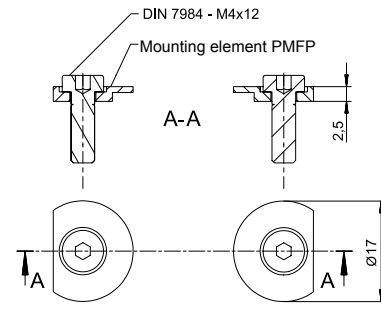
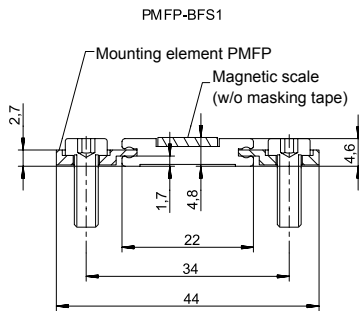


Masking tape PMAB:

Masking tape made of stainless steel for POSIMAG magnetic scale PMIB3, width 10 mm, thickness 0.2 mm

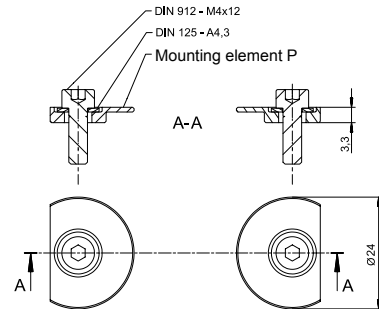
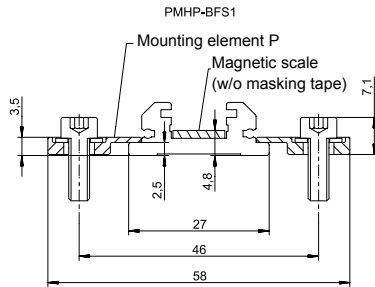
Order code: PMAB — 10MM —
 Length in mm

Outline drawing flat profile PMFP



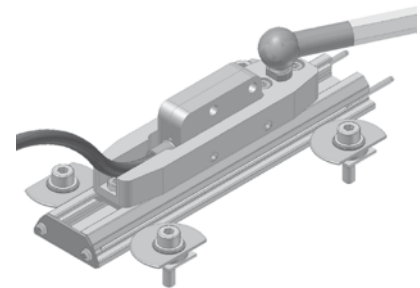
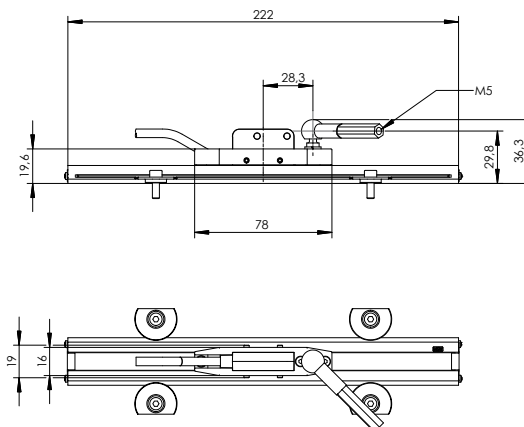
Mounting set PMFP-BFS1

Outline drawing high profile PMHP



Mounting set PMHP-BFS1

Slider for high profile PMGW3



Dimensions informative only. For guaranteed dimensions consult factory.