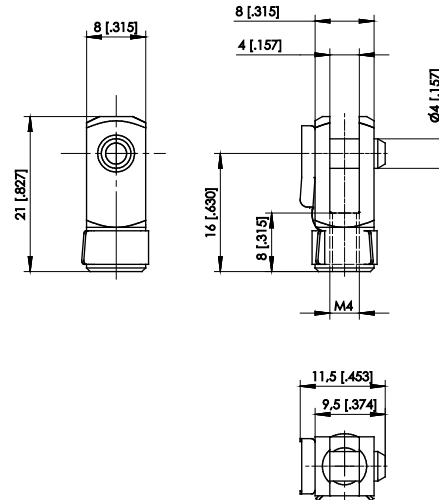


Attachment head GK1 / GK2

The cable attachment head GK1/GK2 can be used in many cases to attach the measurement cable to the moving object, and makes an easy to remove connection.

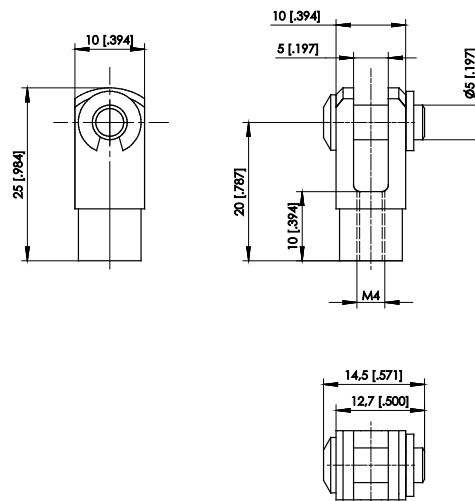
Order code
Metal version

GK1



Order code
Plastic version
(for isolated installation)

GK2

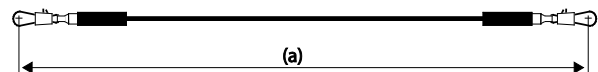


Cable extension SV1

Cable extension for ASM position sensors with cable clip.

Order code **SV1** — M

Cable length (a) in m (from 0.2 m)



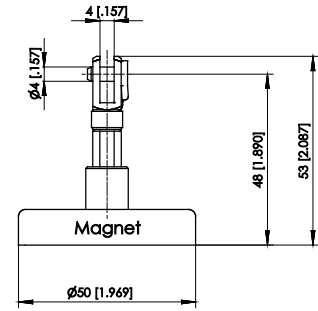
Magnetic clamp MAG1

The magnetic clamp MAG1 is an easy way to fasten the measurement cable to ferromagnetic materials on the moving parts. The user can easily change from one application to another using this device.

Minimum Adhesive Force: ≥ 200 N (on bare steel)

Note: Coated surfaces will reduce the adhesive force.

Order code **MAG1**



Float

For best accuracy half the volume of the float has to be immersed in the fluid. The float should be filled with the same or a neutral liquid.

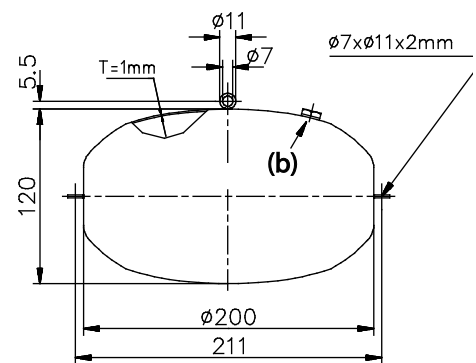
Weight: 1 kg approx.

Material: V4A steel, DIN 1.4571

In running media the float can be stabilized by two guiding cables.

Order code **SCHWIMMER-200MM**

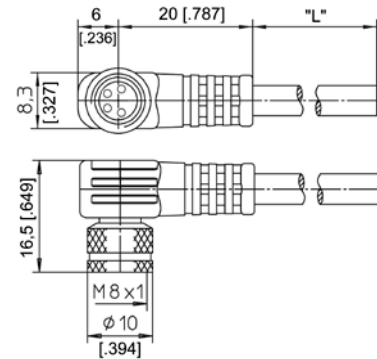
Guiding eye (a), Filler plug M8 (b)



**Connector cable M8, 4 pin
(angular coupling)**

shielded

The 4-lead shielded cable is supplied with a mating 4-pin 90° M8 connector at one end and 4 wires at the other end. Available lengths are 2 m, 5 m and 10 m.
Wire cross sectional area 0.14 mm²



Order code

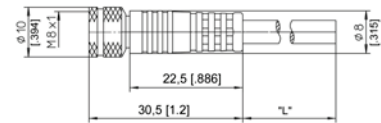
	KAB - xM – M8/4F/W - LITZE
IP69:	KAB - xM – M8/4F/W/69K - LITZE

xM = length in m

**Connector cable M8, 4 pin
(straight coupling)**

shielded

The 4-lead shielded cable is supplied with a mating 4-pin M8 connector at one end and 4 wires at the other end. Available lengths are 2 m, 5 m and 10 m.
Wire cross sectional area 0.14 mm²



Order code

	KAB - xM – M8/4F/G - LITZE
IP69:	KAB - xM – M8/4F/G/69K - LITZE

xM = length in m

Signal wiring M8, 4 pin	Plug connection / Cable color			
	1	2	3	4
	brown	white	blue	black

Applicable for cable carriers

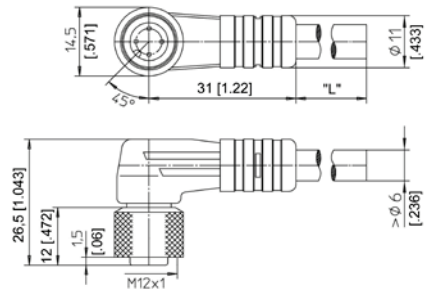
Maximum movement speed	3 m/s
Maximum acceleration	5 m/s ²
Minimum bending radius	10 x cable diameter

**Connector cable M12, 4 pin
(angular coupling)**

shielded connector

Suitable for 5-pin
sensor connectors

The 4-core screened cable is supplied with a mating 4-pin 90° M12 connector at one end and 4 wires at the other end. Available lengths are 2m, 5m and 10m. Wire: cross sectional area 0.34mm² Cable diameter: 5.6 ±0.2 mm



Order code

KAB - xM - M12/4F/W - LITZE

IP69: **KAB - xM - M12/4F/W/69K - LITZE**

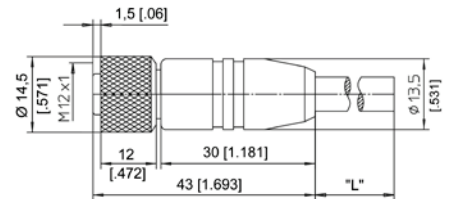
xM = length in m

**Connector cable M12, 4 pin
(straight coupling)**

shielded connector

Suitable for 5-pin
sensor connectors

The 4-core screened cable is supplied with a mating 4-pin M12 connector at one end and 4 wires at the other end. Available lengths are 2m, 5m and 10m. Wire: cross sectional area 0.34mm² Cable diameter: 5.6 ±0.2 mm



Order code

KAB - xM - M12/4F/G - LITZE

IP69: **KAB - xM - M12/4F/G/69K - LITZE**

xM = length in m

Signal wiring	Plug connection / cable color			
	M12, 4 pin	1	2	3
	brown	white	blue	black

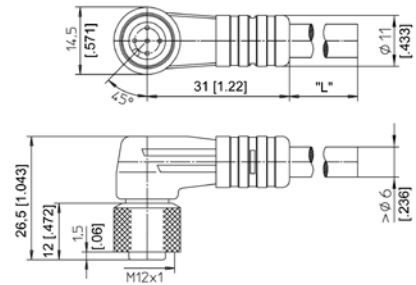
Applicable for cable carriers

Maximum movement speed	3 m/s
Maximum acceleration	5 m/s ²
Minimum bending radius	10 x cable diameter

**Connector cable M12, 5 pin
(angular coupling)**

shielded connector

The 5-core screened cable is supplied with a mating 5-pin 90° M12 connector at one end and 4 wires at the other end. Available lengths are 2m, 5m and 10m. Wire: cross sectional area 0.34mm² Cable diameter: 5.6 ±0.2mm



Order code

KAB - xM - M12/5F/W - LITZE

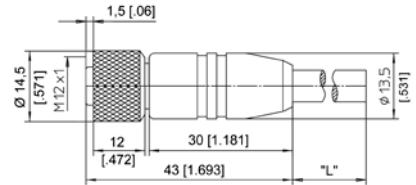
IP69: **KAB - xM - M12/5F/W/69K - LITZE**

xM = length in m

**Connector cable M12, 5 pin
(straight coupling)**

shielded connector

The 5-core screened cable is supplied with a mating 5-pin M12 connector at one end and 4 wires at the other end. Available lengths are 2m, 5m and 10m. Wire: cross sectional area 0.34mm² Cable diameter: 5.6 ±0.2mm



Order code

KAB - xM - M12/5F/G - LITZE

IP69: **KAB - xM - M12/5F/G/69K - LITZE**

xM = length in m

Signal wiring M12, 5 pin	Plug connection / Cable color				
	1	2	3	4	5
	brown	white	blue	black	grey

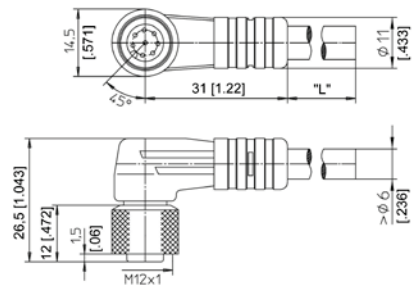
Applicable for cable carriers

Maximum movement speed	3 m/s
Maximum acceleration	5 m/s ²
Minimum bending radius	10 x cable diameter

**Connector cable M12, 8 pin
(angular coupling)**

shielded connector

The 8-lead shielded cable is supplied with a mating 8-pin 90° M12 connector at one end and 8 wires at the other end. Available lengths are 2m, 5m and 10m. Wire: cross sectional area 0.25mm² Cable diameter: 6.3 ±0.2mm



Order code

KAB - xM - M12/8F/W - LITZE

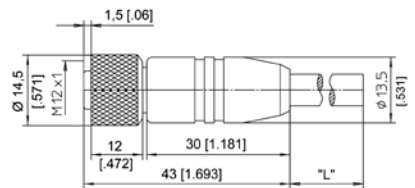
IP69: **KAB - xM - M12/8F/W/69K - LITZE**

xM = length in m

**Connector cable M12, 8 pin
(straight coupling)**

shielded connector

The 8-lead shielded cable is supplied with a mating 8-pin M12 connector at one end and 8 wires at the other end. Available lengths are 2m, 5m and 10m. Wire: cross sectional area 0.25mm² Cable diameter: 6.3 ±0.2mm



Order code

KAB - xM - M12/8F/G - LITZE

IP69: **KAB - xM - M12/8F/G/69K - LITZE**

xM = length in m

Signal wiring	Plug connection / cable color							
	1	2	3	4	5	6	7	8
M12, 8 pin	white	brown	green	yellow	grey	pink	blue	red

Applicable for cable carriers

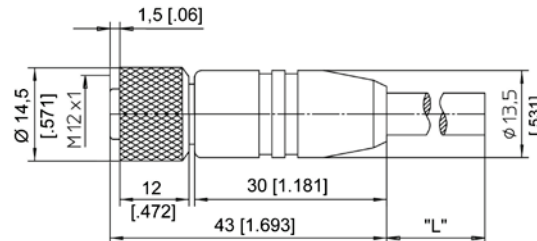
Maximum movement speed	3 m/s
Maximum acceleration	5 m/s ²
Minimum bending radius	10 x cable diameter

Connector/bus cable - M12, 5 pin CAN-Bus

The 5-lead shielded cable is supplied with a female 5 pin M12 connector at one end and a male 5 pin M12 connector at the other end.

Available lengths are 0.3 m, 2 m, 5 and 10 m.

Cable diameter: 6.7 ±0.2 mm



Order code:

KAB - xM - M12/5F/G - M12/5M/G - CAN

IP69: **KAB - xM - M12/5F/G/69K - M12/5M/G/69K - CAN**

xM = length in m

T-piece for bus cable M12, 5 pin CAN-Bus

Order code:

KAB - TCONN - M12/5M - 2M12/5F - CAN



Terminating resistance M12, 5 pin CAN-Bus

Order code:

KAB - RTERM - M12/5M/G - CAN



Applicable for cable carriers

Maximum movement speed	3 m/s
Maximum acceleration	5 m/s ²
Minimum bending radius	10 x cable diameter

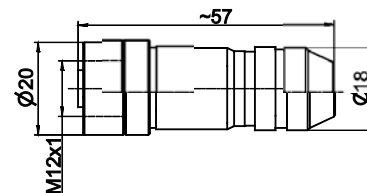
Plug-in connectors

Plug-in connector M12, 8 pin (straight coupling)

Order code:

CONN-M12-8F-G

Cable diameter
max. 6 ... 8 mm



Plug-in connector CONIN, 12 pin (straight coupling)

Order code:

CONN-CONIN-12F-G

Cable diameter
max. 6 ... 8 mm

